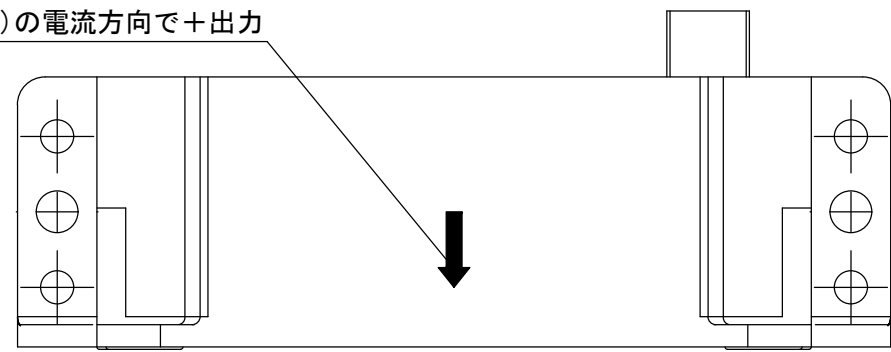
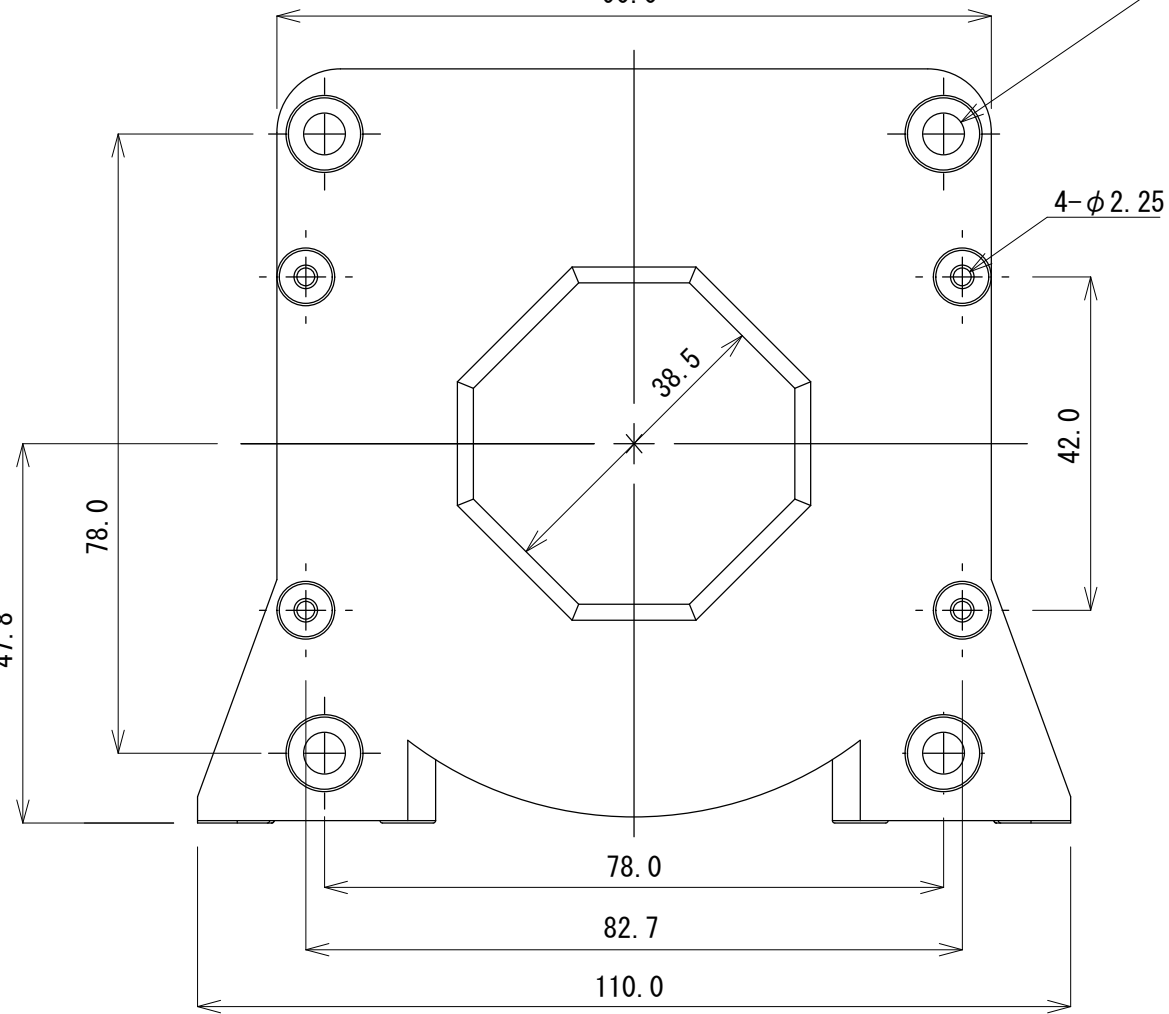


矢印(印字)の電流方向で+出力



90.0

4-φ5.3



4-φ2.25

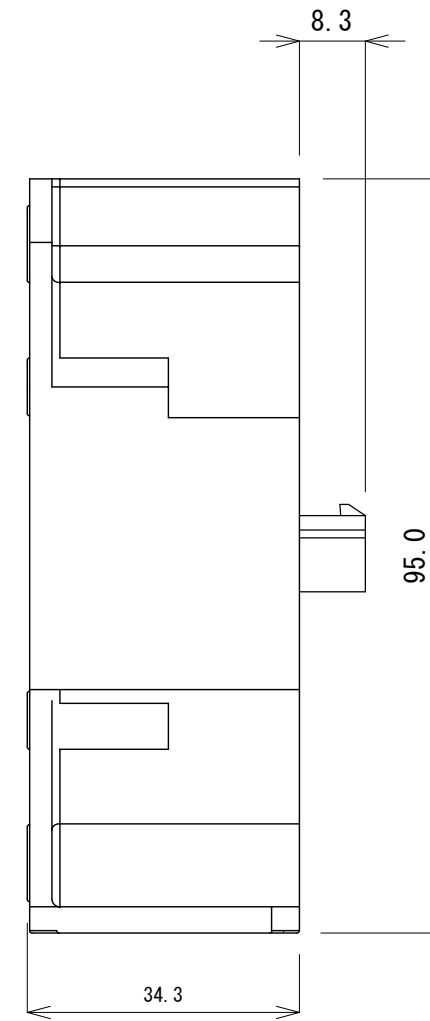
38.5

42.0

78.0

82.7

110.0

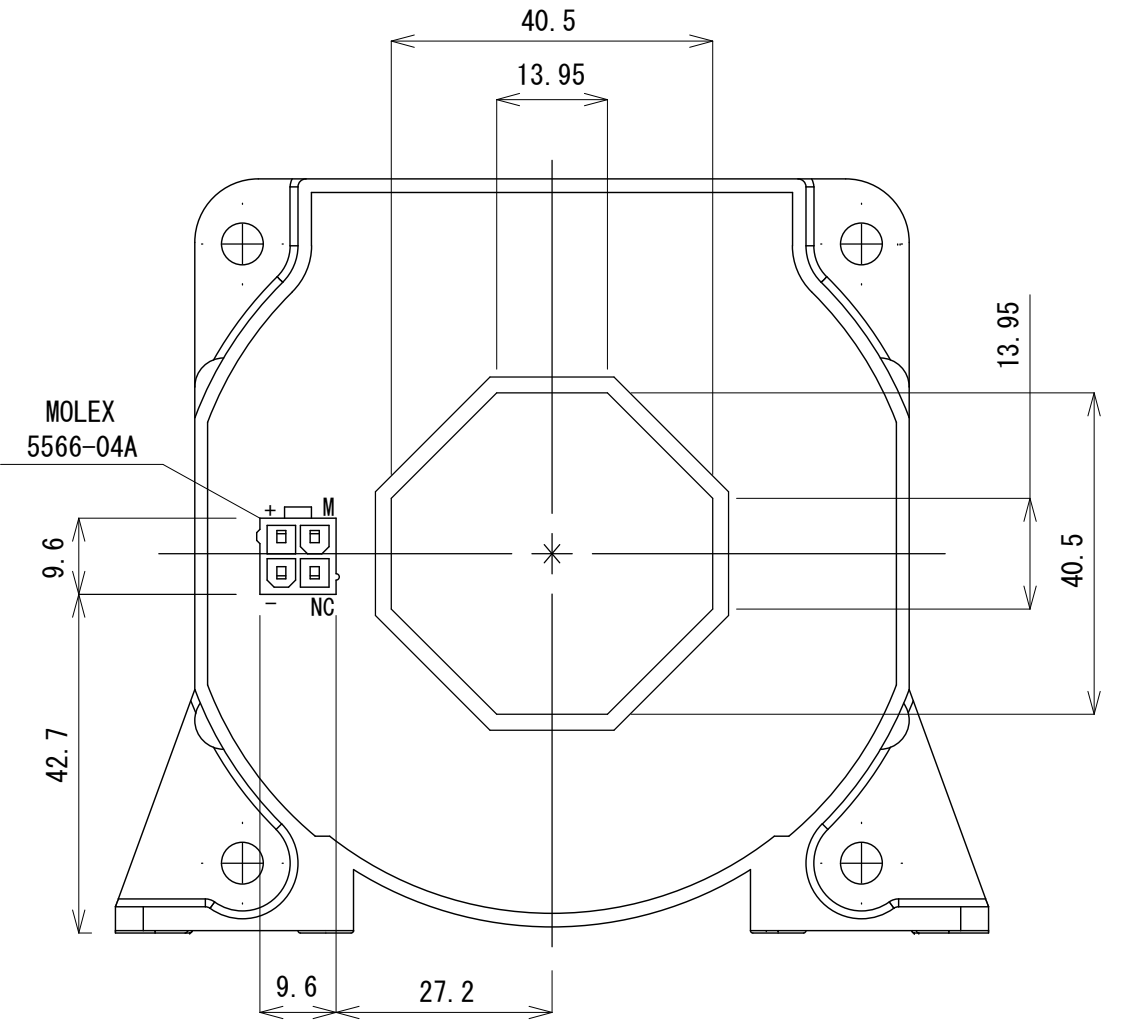


8.3

95.0

34.3

MOLEX
5566-04A



40.5

13.95

13.95

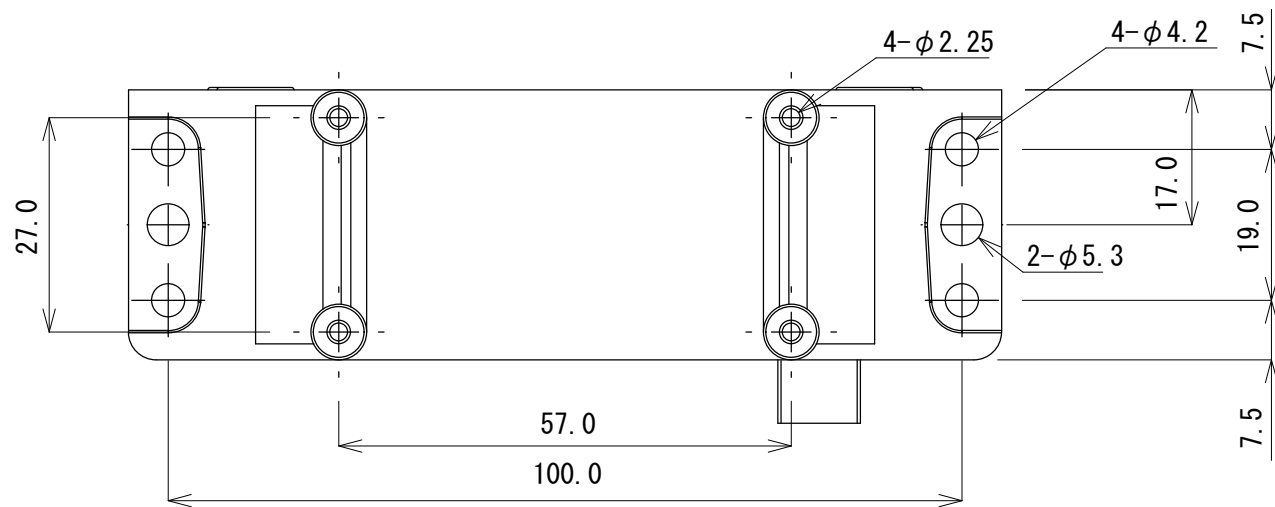
40.5

9.6

42.7

9.6

27.2



4-φ2.25

4-φ4.2

7.5

17.0

2-φ5.3

19.0

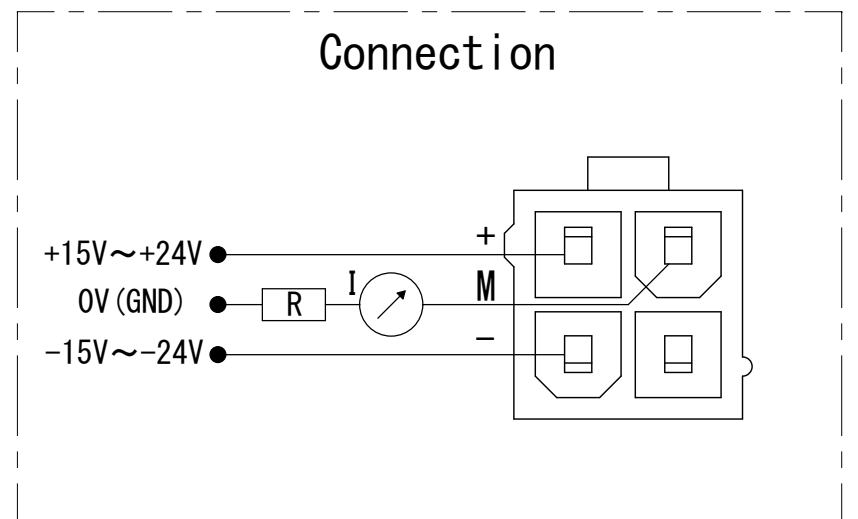
27.0

57.0

100.0

7.5

Connection



+15V~+24V ●

0V (GND) ●

-15V~-24V ●

+

M

-

R

I