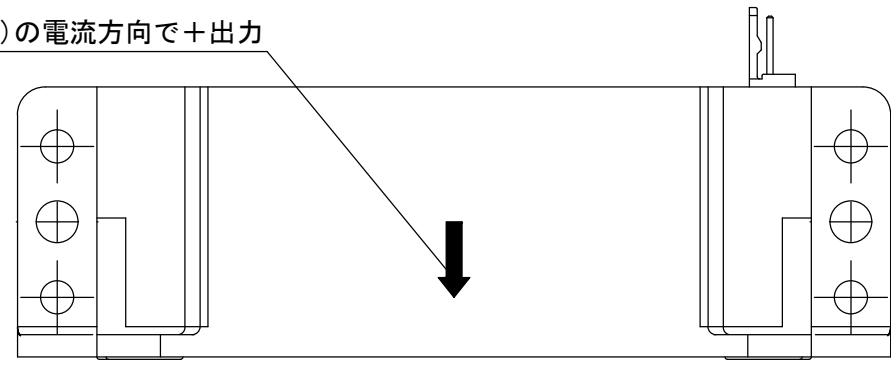


矢印(印字)の電流方向で+出力



90.0

4-φ5.3

4-φ2.25

38.5

42.0

47.8

78.0

78.0

82.7

110.0

27.0

4-φ2.25

4-φ4.2

17.0

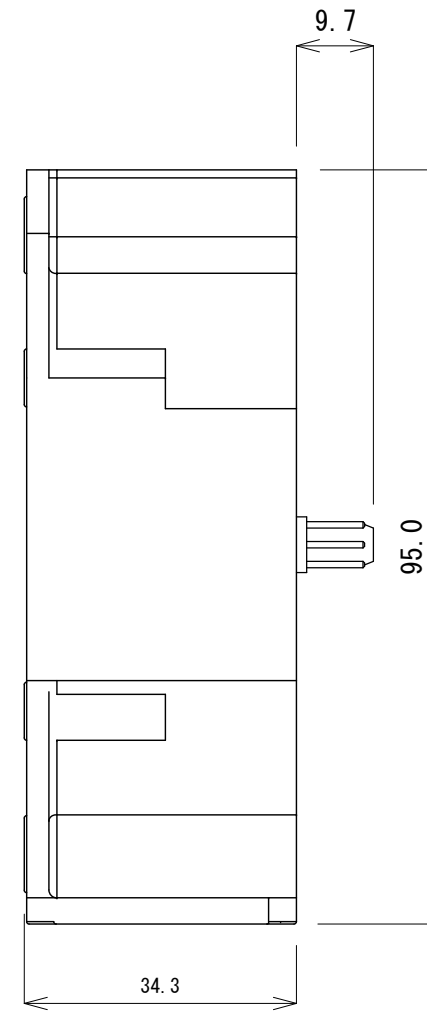
2-φ5.3

57.0

100.0

7.5

7.5



9.7

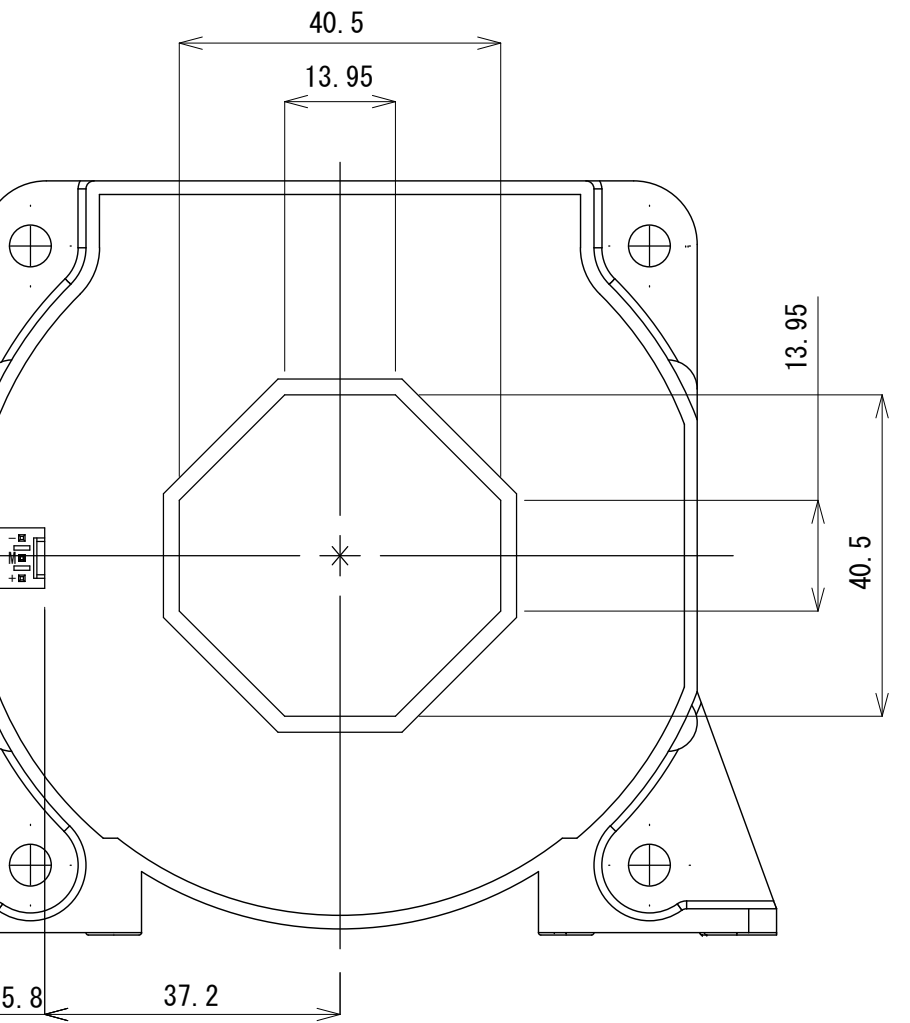
MOLEX  
AE-6410-03A

7.62

43.7

34.3

95.0



40.5

13.95

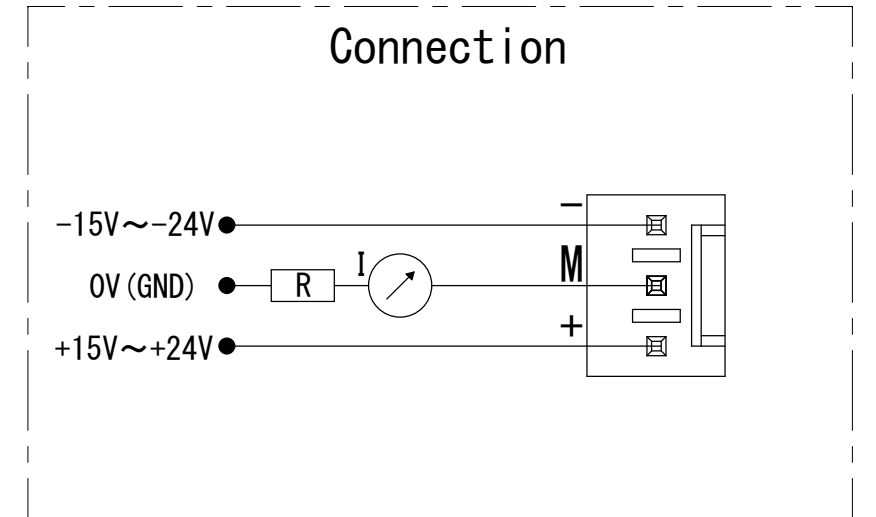
13.95

40.5

5.8

37.2

### Connection



-15V~-24V

0V (GND)

+15V~+24V

R

I

M