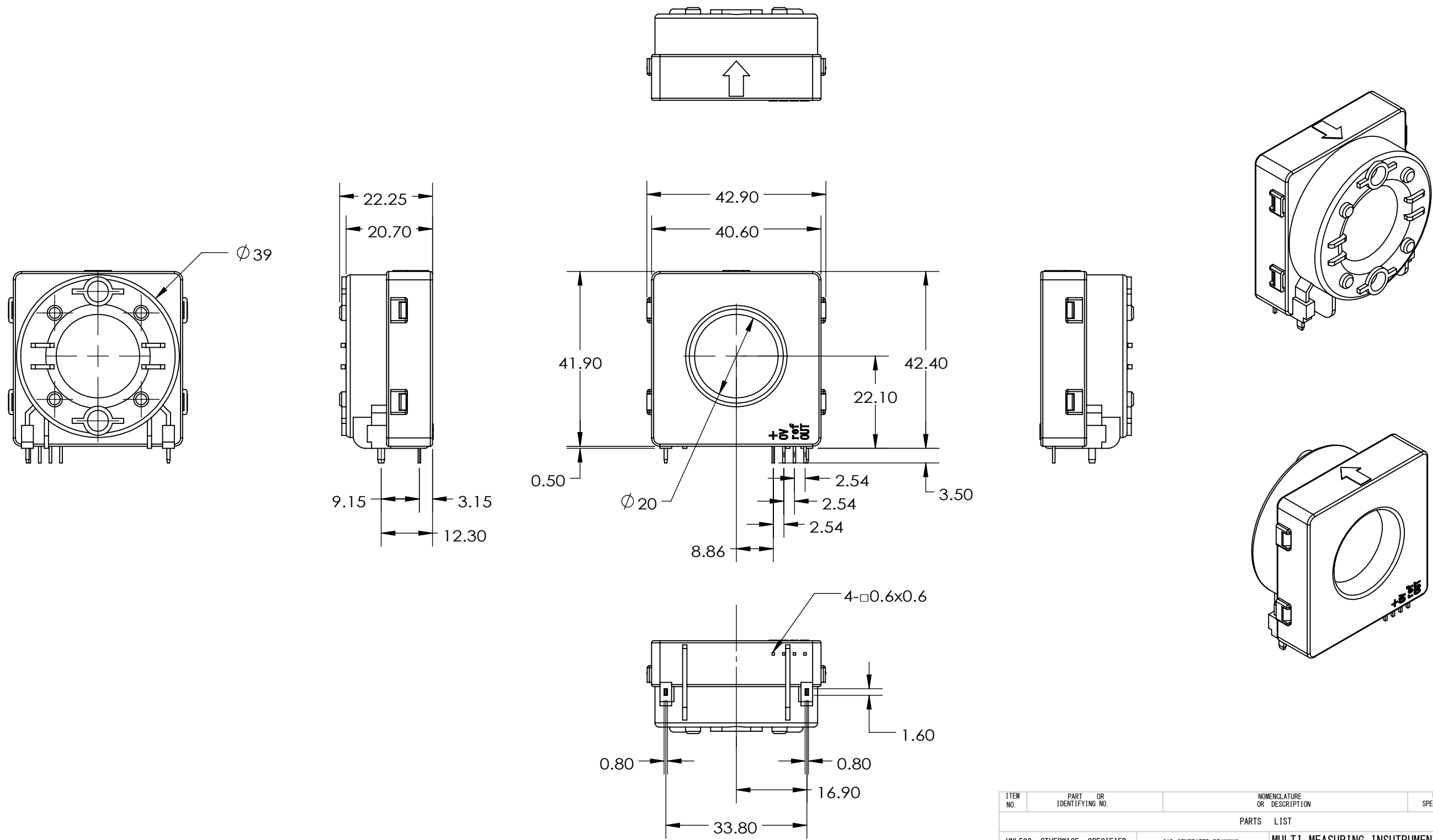


REVISIONS			
REV.	DESCRIPTION	DATE	APPROVED



THIRD ANGLE PROJECTION

ITEM NO.	PART OR IDENTIFYING NO.	NOMENCLATURE OR DESCRIPTION	MATERIAL SPECIFICATION	QTY REQD
PARTS LIST				
UNLESS OTHERWISE SPECIFIED TOLERANCES ARE:		CAD GENERATED DRAWING, DO NOT MANUALLY UPDATE		
.X ±.5mm		APPROVALS	DATE	
.XX ±.25mm		DRAWN H. Y	2015.06.17	
.XXX ±.127mm		CHECKED		
MATERIAL		RESP ENG		
FINISH		MFG ENG		
DO NOT SCALE DRAWING		QUAL ENG		
MULTI MEASURING INSTRUMENTS CO., LTD., nodacity chiba japan				
DCZCT-20CDHL				
外形図				
SIZE DWG. NO.			REV.	
A3-15095			1	
SCALE NONE CAD FILE:			SHEET 1 OF 1	

NEXT ASSY	USED ON
APPLICATION	