

## High Precision Current Sensor for DCmA

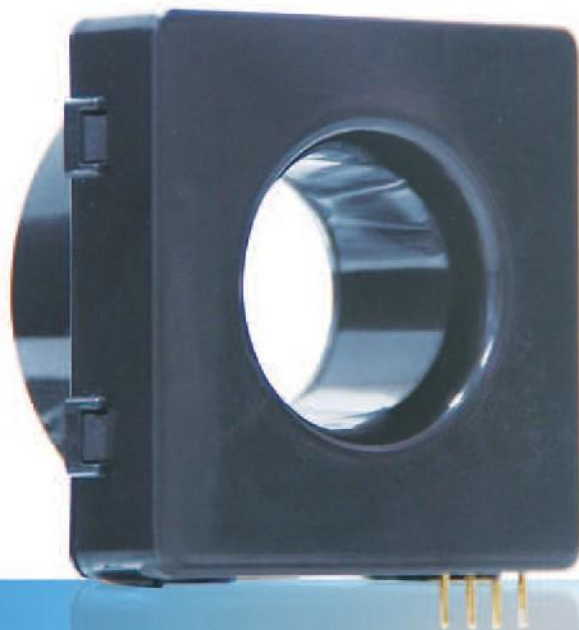
# DCZCT-20CDHL

- For Detection of DC Ground Fault & Leakage Current of natural energy such as Solar Power Generation
- DC Ground Fault Current in the Systems of Transformerless Power Conditioners/ Leakage Current Detection
- Charge Electric Current of the Storage Battery/ Leakage of Electricity / Current Earth Detection



### 《FEATURE》

1. **Measuring Low Range Current**  
DC1mA ~ 200mA
2. **High Precision**  
Accuracy 1% (  $\pm 1\% \text{FS} \pm 20\text{mV}$  )
3. **Less Influence from Magnetization**  
Less than DC1mA



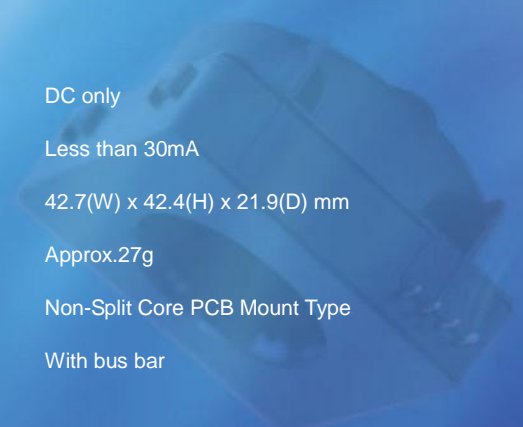
***Detect Low Range Leakage Current instantly.***

Power Supply  
Voltage  
Easy to use  
Unipolar 5V

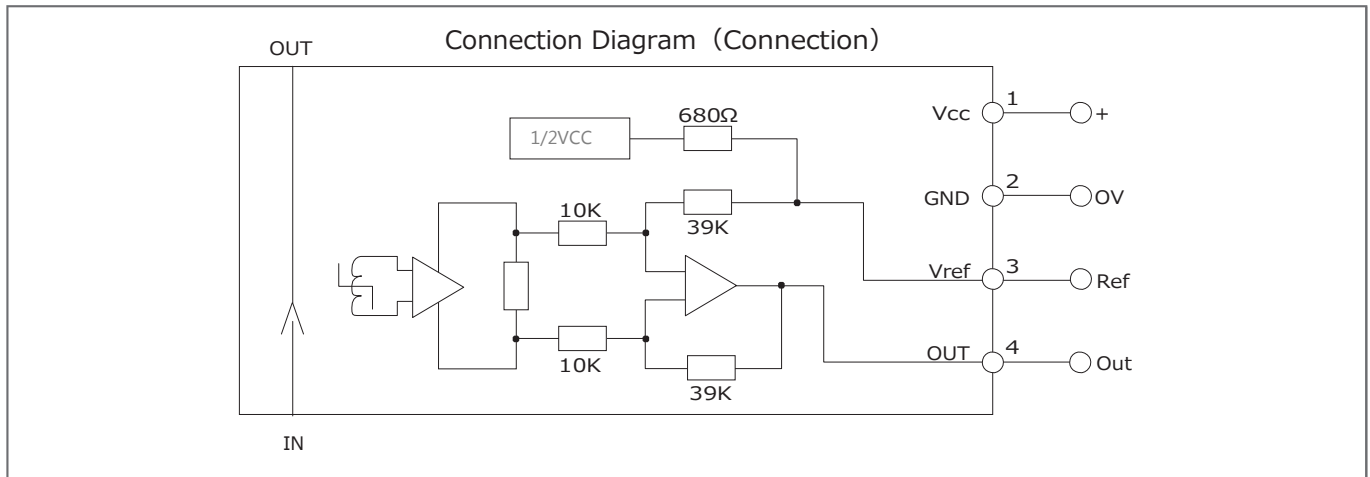
Standard Voltage  
Function in-built

Max. Applicable Current	DC10A
Measuring Current	DC0mA ~ $\pm 200\text{mA}$
Inside Diameter	$\phi 20\text{mm}$
Output Characteristic	DC10mV/1mA
Accuracy	$\pm 1\% \text{ F.S.} \pm 20\text{mV}$
Output Response	Approx. 100mS
Power Supply Voltage	DC5V $\pm 5\%$ (Unipolar) Max. Rated Voltage 6V

Measurable Frequency Range	DC only
Current Consumption	Less than 30mA
Dimension	42.7(W) x 42.4(H) x 21.9(D) mm
Weight	Approx. 27g
Structure	Non-Split Core PCB Mount Type
Option	With bus bar



## ● DCZCT-20CDHL Connection Diagram



## ● DCZCT Series



Model	DCZCT-20M	DCZCT-20MH	DCZCT-20CDH	DCZCT-45NK	DCZCT-60NK
Feature & Application	For DC Small Current ±1.0V Output Through Hole Type Measurement of Consumption Current for Small DC Motor	For DC Leakage Current ±1.0V Output Through Hole Type Measurement of Leakage Current in DC Current Circuit	For DC Leakage Current ±1.0V Output Through Hole Type High-Speed Measurement of Leakage Current in DC Current Circuit	For DC Leakage Current ±2.5V Output Through Hole Type Middle-size Diameter	For DC Leakage Current ±2.5V Output Through Hole Type Large-size Diameter Leakage Current in DC Current Circuit
Applicable Current	DC±1mA~±1000mA	DC±1mA~±200mA	DC±1mA~±200mA	DC±1mA~±100mA	DC±1mA~±100mA
Output Power	±1V F.S	±1V F.S	±1V F.S	±2.5V F.S	±2.5V F.S
Inside Diameter	φ 20mm	φ 20mm	φ 20mm	φ 45mm	φ 60mm
Power Supply Voltage	+5V(Unipolar)	+5V(Unipolar)	±12V(Bipolar)	+24V(Unipolar)	+24V(Unipolar)
Dimension	43x56x17mm	43x56x17mm	43x56x17mm	106x143x47mm	120x157x51mm



### DC/AC CURRENT SENSORS

MODEL TYPES FOR  
6A 15A 25A 50A



#### <FEATURE>

1. DC/AC & Pulse Current Measurement in complete isolated structure
2. Unipolar 5V Power Supply
3. PCB Mount Type
4. High-Speed Response (approx. 3μSec)
5. Standard Voltage Function in-built
6. Applicable Frequency DC~300KHz

The contents of this catalog are subject to be changed without prior notice.

Let's Create  
New Concepts of Instruments

**MULTI** MULTI MEASURING  
INSTRUMENTS CO.,LTD.

Akihabara Murai Bldg. 7F,  
1-26 Kanda Sakuma-cho, Chiyoda-ku,  
Tokyo, 101-0025 JAPAN  
TEL:+81-3-3251-7013/FAX: +81-3-3253-4278  
Homepage: <http://www.multimic.com/>  
E-mail: [multi@multimic.com](mailto:multi@multimic.com)