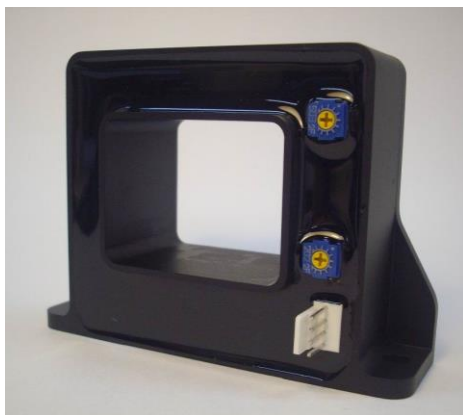


**CURRENT SENSORS FOR INDUSTRIAL APPLICATIONS****Model MOHT-B SERIES OPEN LOOP METHOD**

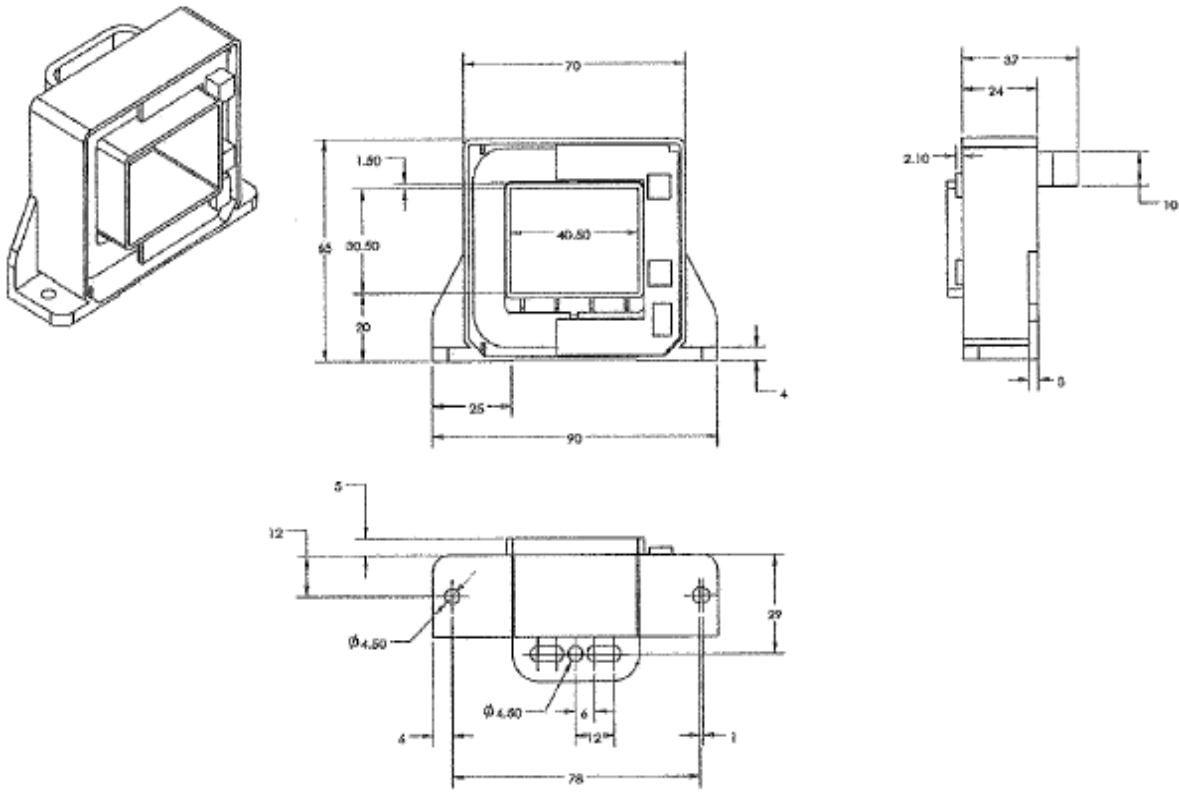
- Hall effect measurement for DC/AC/Pulsed current.
- For the use of UPS, batteries, switching power supply, DC motor drivers, etc.
- Wide Measuring Ranges (8 Models) up to  $\pm 2500A$  and Low Consumption Current



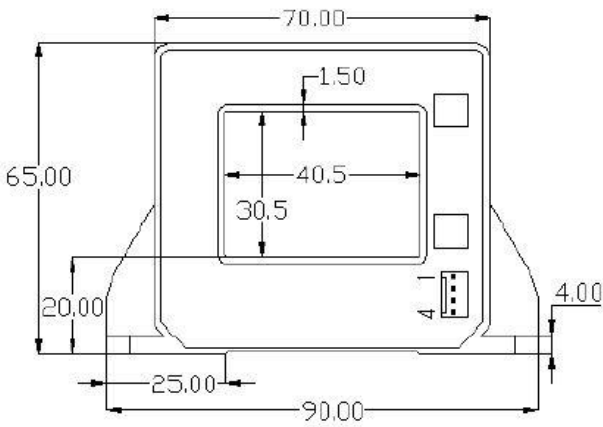
Model	Primary nominal current rms	Primary current measuring range
MOHT-200B	200A	$\pm 600A$
MOHT-400B	400A	$\pm 1200A$
MOHT-500B	500A	$\pm 1500A$
MOHT-600B	600A	$\pm 1800A$
MOHT-750B	750A	$\pm 2250A$
MOHT-800B	800A	$\pm 2400A$
MOHT-1000B	1000A	$\pm 2500A$
MOHT-1200B	1200A	$\pm 2500A$
MOHT-1500B	1500A	$\pm 2500A$

Output Voltage	: $\pm 4V$ (at Nominal Primary Current and $25^{\circ}C$ )
Current Consumption	: approx. 30mA
Power Supply Voltage	: $\pm 15V(\pm 5\%)$
Isolation Resistance	: $>1000 M\Omega @500VDC$
Accuracy	: less than $\pm 1\%$ of Nominal Primary Current
Temp. Coefficient of $V_{OE}$	: less than $\pm 1.0mV/K$ at $0A (-40^{\circ}C \sim 80^{\circ}C)$ : less than $\pm 1.5mV/K$ at $0A (80^{\circ}C \sim 105^{\circ}C)$
Temp. Coefficient of $V_{OUT}$	: less than $\pm 0.1\%/K$ of reading
Response Time	: @90% of IPN step $< 5 \mu s$
Operating Temperature	: $-40 \sim +105^{\circ}C$
Storage Temperature	: $-40 \sim +105^{\circ}C$
Safety Standard	: EN50178 and IEC61010-1 (RoHS compliant)
Basic Insulation	: Rated insulation voltage 1100V
Reinforced Insulation	: Rated insulation voltage 550V
Output Connector	: Molex 5045-04A
Weight	: approx. 300 g.

# Dimension and Drawing



# MOCH-B Series Connection



Connection of secondary  
Molex 5045-04A

